

tapo



**5300Pa**

# Ultra-Powerful Robot Vacuum and Mop

Tapo RV20 Max

Black  
▼



White  
▼



## MagSlim™ + IMU Dual Navigation System

83 mm / 3.27"  
Ultra-Slim Design

Mesh Grid™  
No Spots Missed

Customizable  
Room Cleaning

52 dB  
Quiet Clean†




# // Highlights


## DeepVac™ for Better Dust Removal


### Dust-Free, Stress-Free

DeepVac™ tech allows smoother dust flow to enhance dust removal efficiency on various floors‡.



 5300Pa  
Hyper Suction

 Mesh Grid™  
No Spots Missed

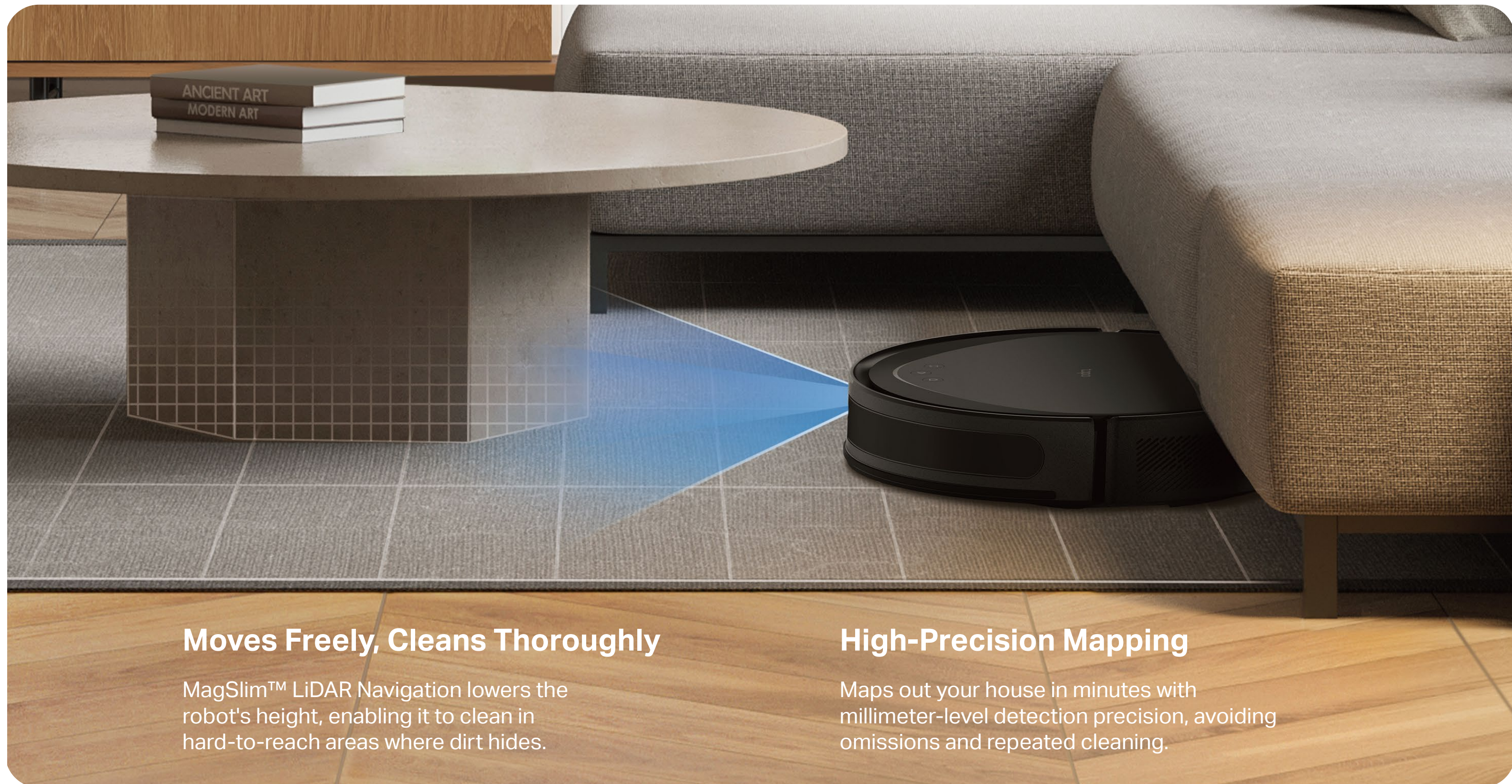
 Customizable Carpet  
Preferences

# // Highlights

## Tapo IQ+ Smart Cleaning™



## // Highlights



### Moves Freely, Cleans Thoroughly

MagSlim™ LiDAR Navigation lowers the robot's height, enabling it to clean in hard-to-reach areas where dirt hides.

### High-Precision Mapping

Maps out your house in minutes with millimeter-level detection precision, avoiding omissions and repeated cleaning.

## // Highlights

- **MagSlim™ + IMU Dual Navigation System**

Accurately maps out your house in minutes, reducing omissions and repeated cleaning, and even works well in the dark.

- **5300Pa Powerful Suction**

Sweeps away debris sandwiched between gaps and dust hidden in carpets for a deeper, powerful clean.

- **83 mm / 3.27" Ultra-Slim Design**

Moves freely under furniture to reach hidden dirt and grime that can't escape its sweep.

- **52 dB Quiet Clean†**

Lower noise level to 52 dB - quieter than a running microwave, ensuring a hushed cleaning experience.

- **Up to 180 min Continuous Cleaning†**

The high-performance battery provides up to 180 minutes of continuous cleaning to clean your house in one run.

- **Up to 22 mm / 0.87 in Super Hurdle Capacity**

Effortlessly climbs over thresholds and obstacles under 22 mm / 0.87 in to provide a more thorough cleaning experience.

- **Voice & Remote Control**

Simply send voice commands via smart speakers or control via the Tapo app.

- **Up to 4 Multi-Floor Cleaning\***

Accurately recognizes different floors faster with local-stored maps without the need for manual switch.

\*Coming soon. Please keep your robot vacuum firmware up to date.

# // Specifications

## Care and Maintenance

To maintain optimal performance, maintain the robot vacuum according to the following guidelines.

Part	Maintenance Frequency	Replacement Frequency*
Dustbin	Clean/wash as needed	/
Filter	Once a week	3-6 months
Main Brush	Every 2 weeks	6-12 months
Main Brush Cover	Every 2 weeks	6-12 months
Side Brush	Once a month	3-6 months
Mop Cloth	After each use	2-3 months
Caster Wheel	Clean as needed	/
Main Wheels	Once a month	/
Sensors	Once a month	/
Charging Contacts	Once a month	/

\*Replacement frequency may vary depending on the actual situation. Parts should be replaced if visible wear appears.

# // Specifications

## Mapping & Navigation Features

- Mapping/Path Planning: MagSlim™ + IMU Dual Navigation
- High-Precision Map: Yes
- Obstacle Avoidance: Infrared
- Barrier-Cross Height: 22 mm/0.87 in
- Anti-Drop Protection : Yes

## Vacuuming Features

- Max Suction Power: 5300 Pa
- Suction Level Adjustment: 5 levels
- Dustbin Capacity: 300 ml
- Dustbin Detection: Yes
- HEPA Filter: H11
- Carpet Boost: Yes
- Noise: 52dB (Quiet mode), 55 dB (Default/Standard)

## Mopping Features

- Wet Mopping : Yes
- Mopping Type: Electric Water Flow Control
- Water Level Adjustment: 3 levels
- Water Tank Capacity: 300 ml

## Battery

- Battery Capacity : 2600 mAh
- Vacuum Max Battery Life: 180 min per charge (Quiet Mode)
- Recharge & Resume: Yes

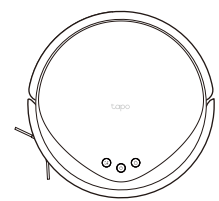
## App Features

- Real-Time Tracking: Yes
- Multi-Floor Mapping: Yes
- Scheduled Cleaning: Yes
- Virtual Walls: Yes
- No-Go Zones: Yes
- Zone Cleaning: Yes

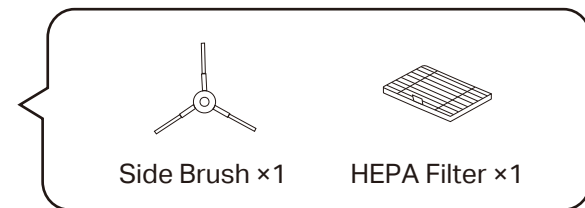
# // Specifications

## Physical

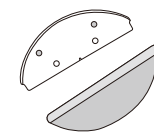
- Product Dimensions:  
Robot Vacuum:  $\Phi 330 \times 83$  mm ( $\Phi 13 \times 3.3$  in)
- Package Contents:  
Robot Vacuum Cleaner  $\times 1$  (Includes HEPA Filter  $\times 1$  and Side Brush  $\times 1$ )  
Charging Dock  $\times 1$   
Mopping Attachment  $\times 1$   
Power Cord  $\times 1$   
Cleaning Brush  $\times 1$   
User Manual



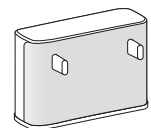
Robot Vacuum



\*One side brush and one HEPA Filter installed on the robot vacuum



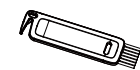
Mopping Attachment  $\times 1$



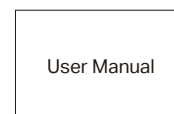
Charging Dock



Power Cord  $\times 1$



Cleaning Brush  $\times 1$



User Manual  $\times 1$

## Others

- Wireless Connection:  
IEEE 802.11 b/g/n, 2.4 GHz band only;  
Bluetooth 4.2 (only for onboarding)
- Rated Input Voltage: 100-240 VAC, 50/60 Hz
- Max Charging Power Consumption: 10 W (DC20 V 500 mA) / 9.5W (DC19 V 500 mA)
- Max Working Power Consumption:  
Robot Vacuum: 45 W
- Works with Google Home: Yes
- Works with Amazon Alexa: Yes

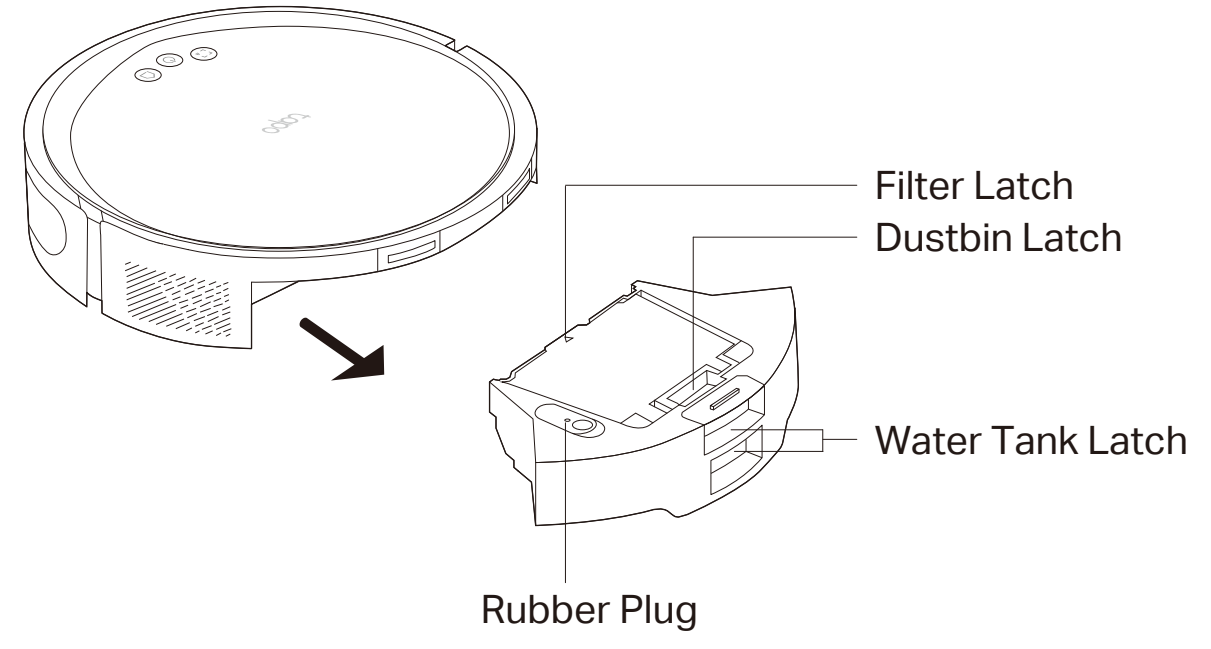
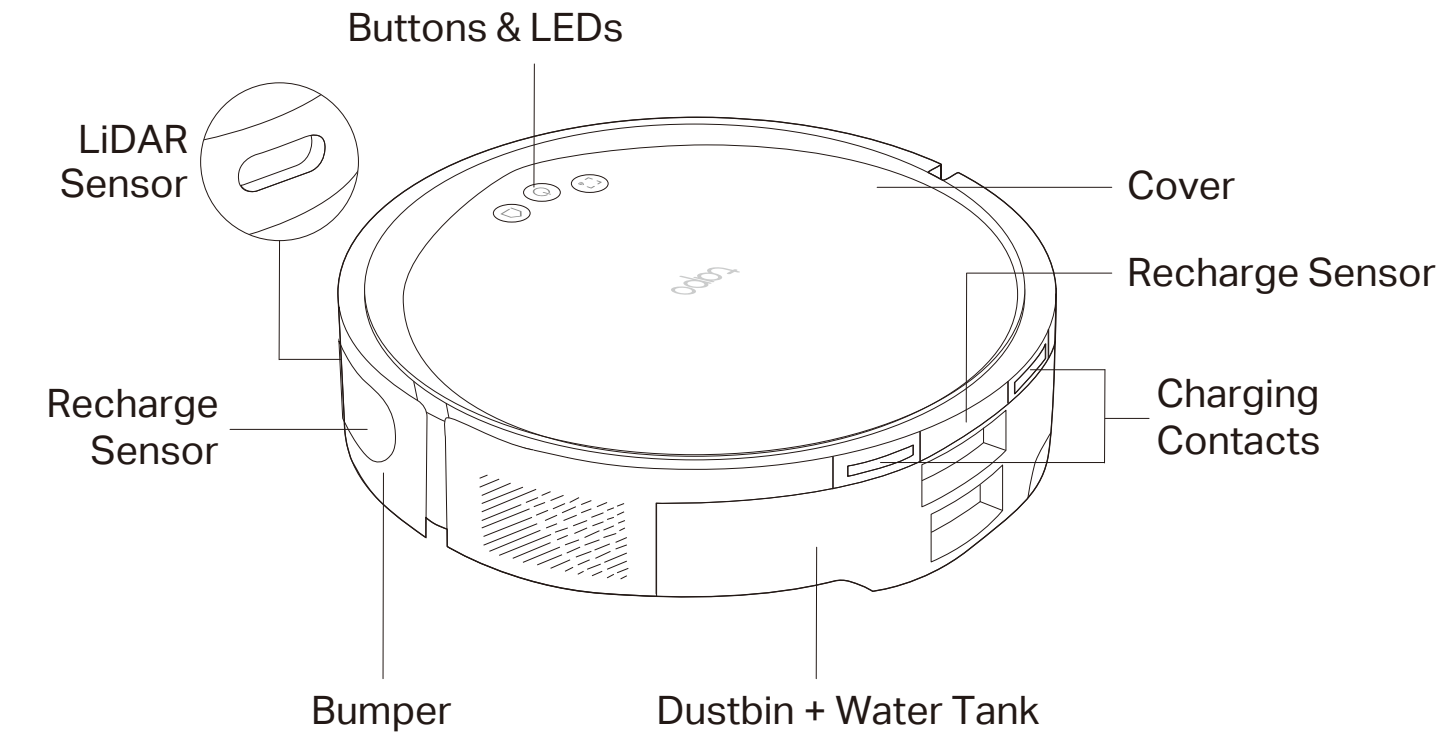
# // Overview

## Robot Vacuum

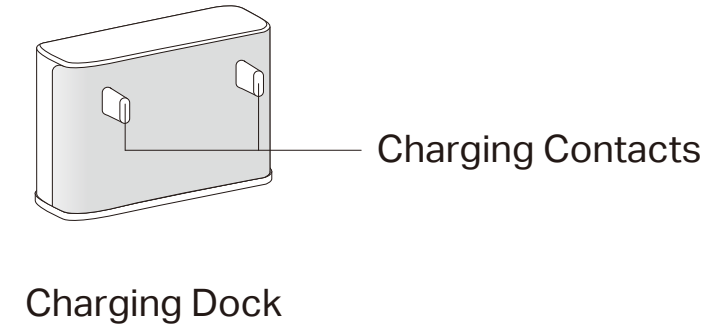
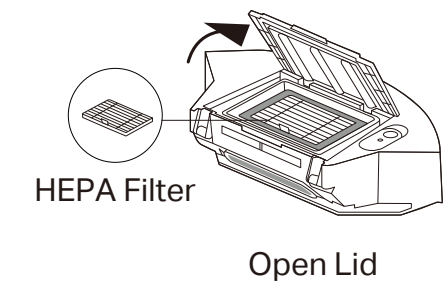
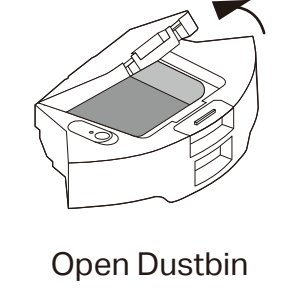
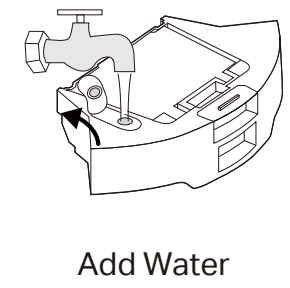
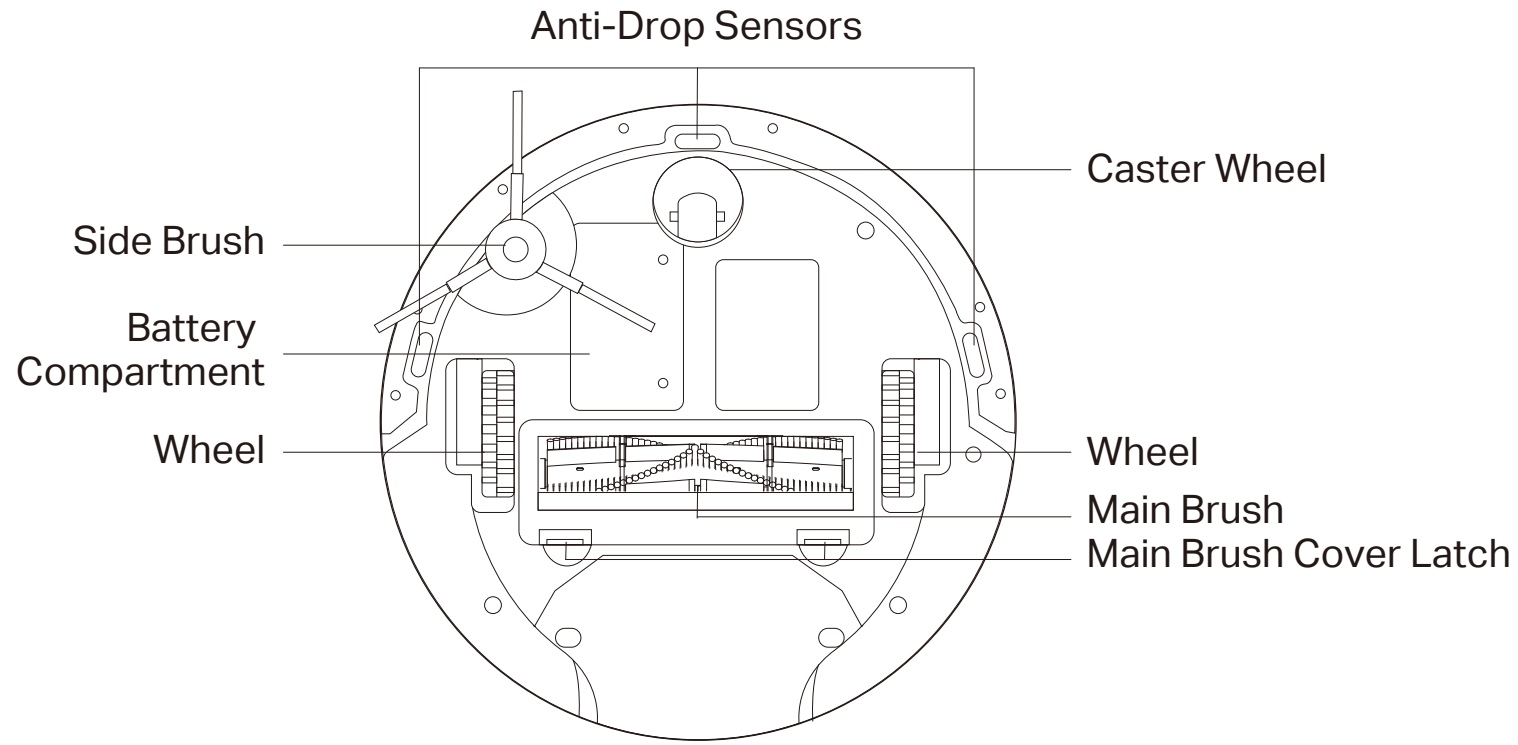


- Power/Clean**
  - Press and hold for 3 seconds: Turn on/off the robot vacuum.
  - Press once: Start/pause cleaning.
- Dock**
  - Return to the dock to charge.
  - Empty the dustbin when docked.
- Spot Cleaning/Child Lock**
  - Press once: Start spot cleaning.
  - Press and hold for 5 seconds: Turn on/off the child lock.
- Combo Button**
  - Press and hold simultaneously for 5 seconds: Enter setup mode to configure the network.
  - Press and hold simultaneously for 10 seconds: Restore to factory default settings.
- LED**
  - Red: Battery level < 20%; Error
  - Orange: Battery level between 20% and 80%
  - Green: Battery level > 80%

# Overview



**!** Do NOT add any cleaning agents.  
Wipe the water tank dry after adding water.



For support and warranty, please visit: <https://www.tapo.com/support>

\*Based on internal testing by Tapo Lab. Actual results are subject to change due to the usage and environmental factors.

\*Testing is conducted by Tapo Lab using Tapo RV20 Max compared to Tapo RV20 Mop on rough wood floors. Actual results may vary according to the home environment.

Specifications are subject to change without notice. All brands and product names are trademarks or registered trademarks of their respective holders.

@2024 TP-Link